

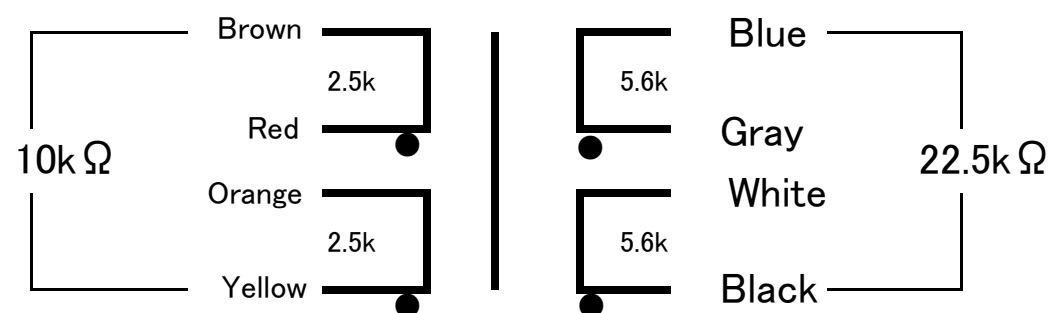


FM-1022D

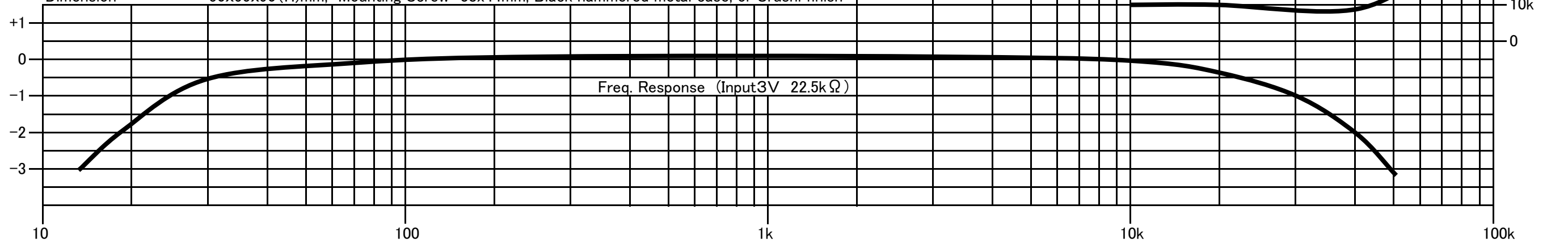
FINEMET® NANOCRYSTALLINE Core Driver Transformer

Audio Feast

### Wiring Connection

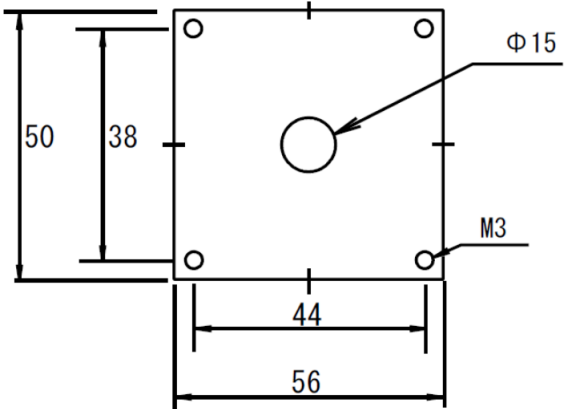
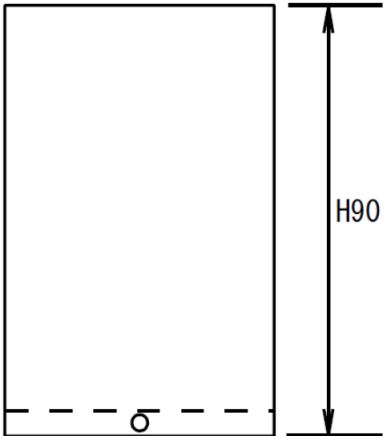


Ratio 1+1 : 1.5+1.5  
Freq. Response 20~40kHz (22.5k -2dB 3V)  
Pri. Inductance 90H (100Hz)  
Pri. DCR Brown-Red (320Ω)/Orange-Yellow (320Ω) Sec. DCR Blue-Gray (840Ω)/White-Black (840Ω)  
Pri. max DC Current DC18mA (10kΩ) DC36mA (2.5kΩ)  
Sec. Load Resistance/recommended 1.1MΩ (22.5kΩ) 275kΩ (5.6kΩ) it can be used with sec. open.  
Dimension 50x55x90(H)mm, Mounting Screw 38x44mm, Black hammered metal case, or Urushi finish



Email: [CleanUnderwear@gmail.com](mailto:CleanUnderwear@gmail.com)  
Web: [TheAudioFeast.com](http://TheAudioFeast.com)  
Distributed by Audio Feast (Nashville, TN, USA)  
Final finish by Teramoto (Myoko, Japan)  
Designed by General Ind. (Saitama, Japan)

Available on Black metal case OR  
Urushi finish



Black Metal Case



Urushi finish

All dimension is in mm.

Dimension does not include screws around the case.

