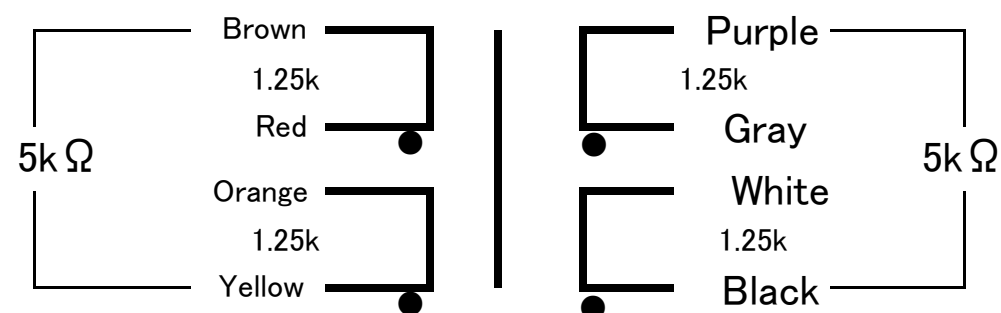




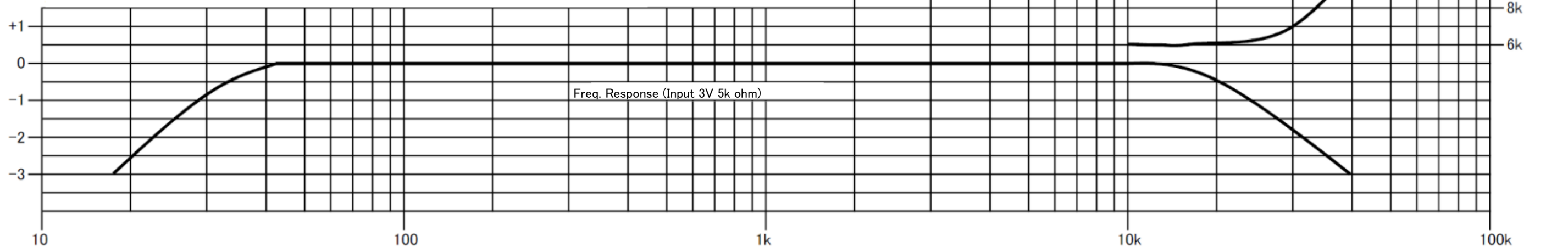
FM-55D
FINEMET® NANOCRYSTALLINE Core Driver Transformer

Audio Feast

Wiring Connection

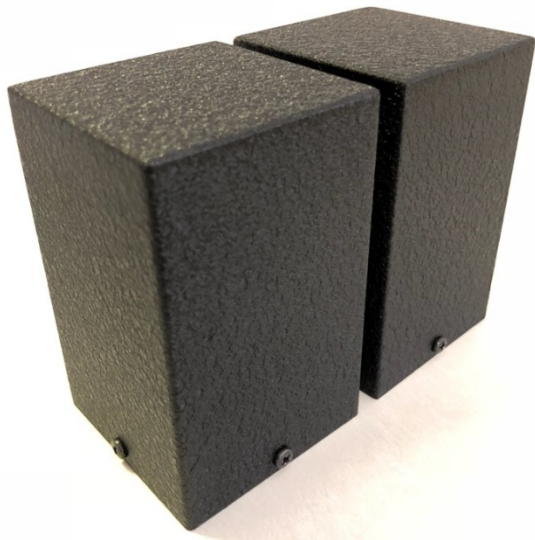
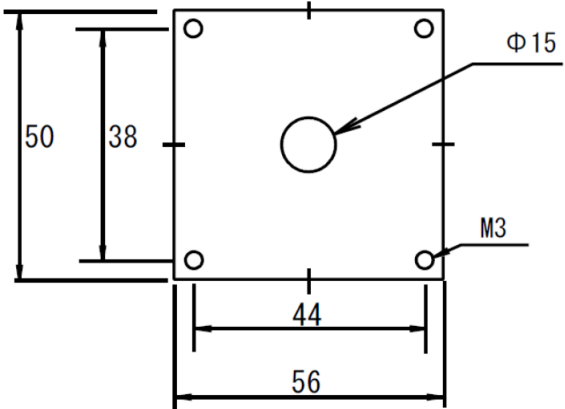
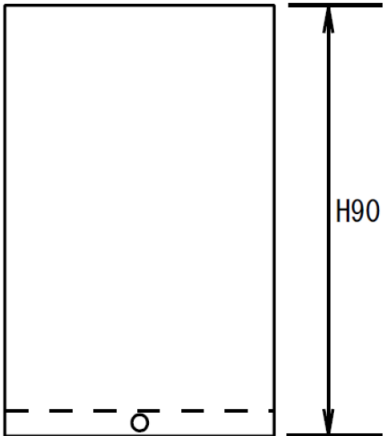


Ratio 1+1 : 1+1
Freq. Response 17-40kHz(5k -3dB 3V)
Pri. Inductance 40H max (100Hz)
Pri. DCR 258 ohm (Brown-Red)/258 ohm (White-Black),
Sec. DCR 340 ohm (Purple-Gray)/340 ohm (White-Black)
Max Output Voltage 196V (45Hz)
Pri. max DC current DC30mA(5k ohm), DC60mA(1.25k ohm)
Sec. Recommended Load Resistance 5k-230k ohm(5k ohm), 1.25k-57k ohm(1.25k ohm)
It can be used secondary open.
Dimension 50x55x90(H)mm Black hammered metal case, or Urushi finish



Email: CleanUnderwear@gmail.com
Web: TheAudioFeast.com
Distributed by Audio Feast (Nashville, TN, USA)
Final finish by Teramoto (Myoko, Japan)
Designed by General Ind. (Saitama, Japan)

Available on Black metal case OR
Urushi finish



Black Metal Case



Urushi finish

All dimension is in mm.

Dimension does not include screws around the case.

